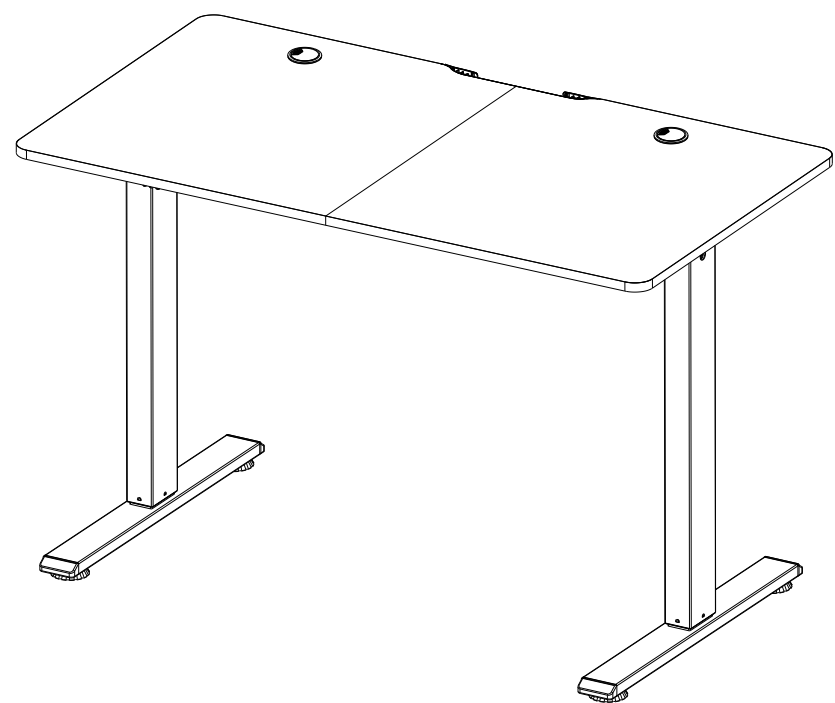
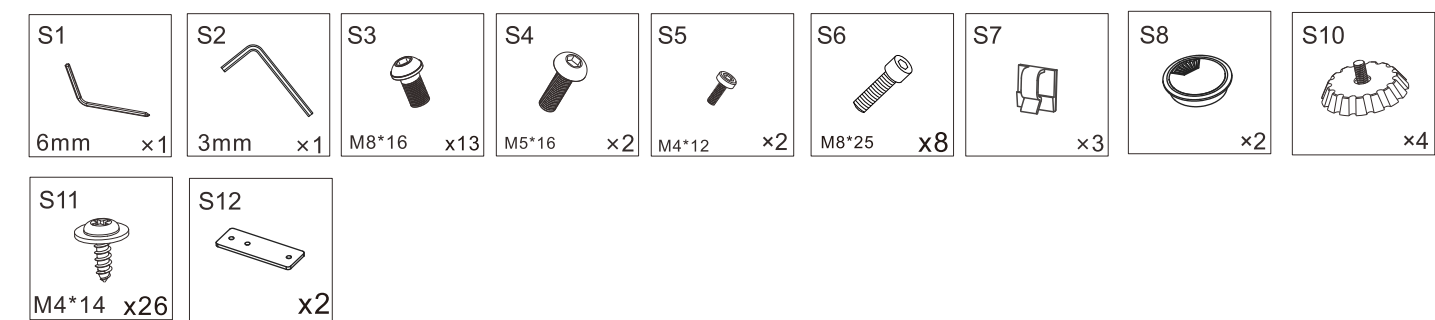


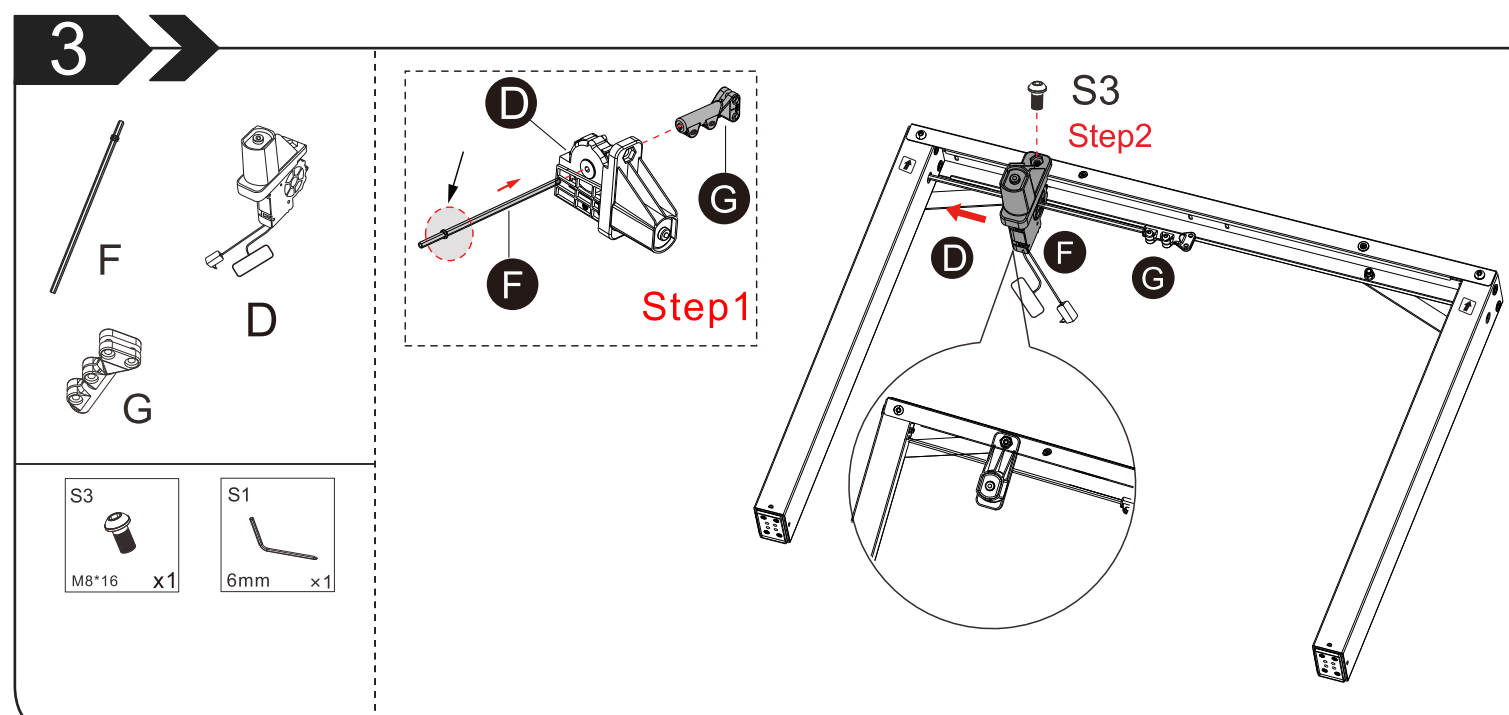
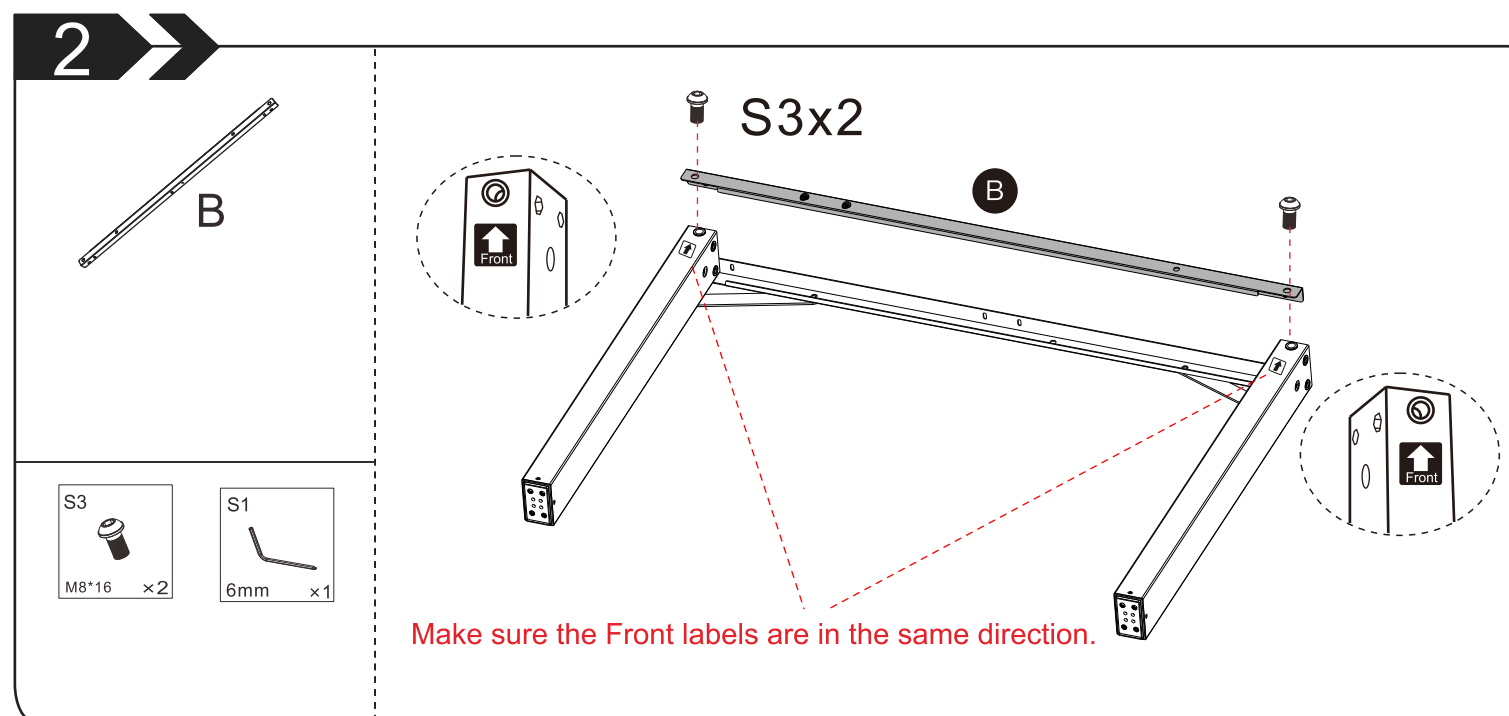
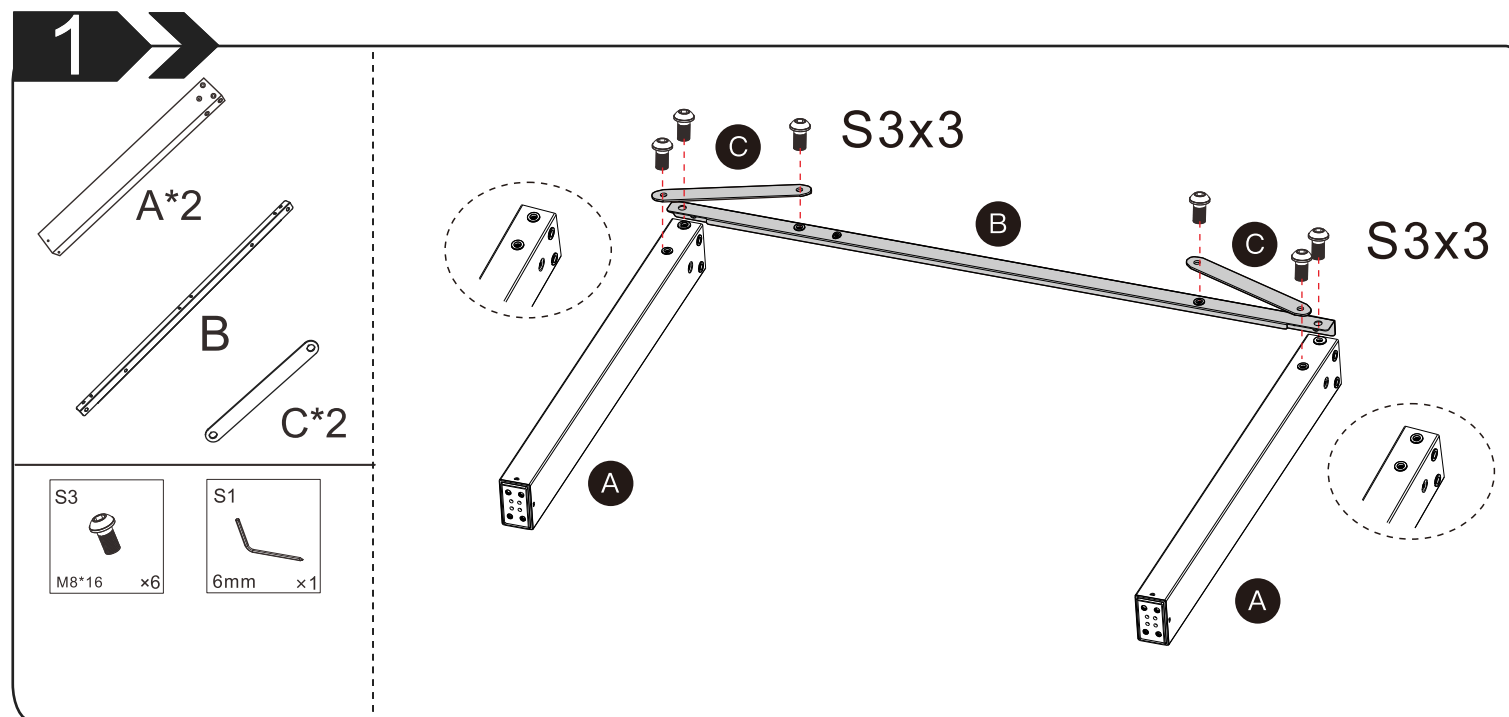
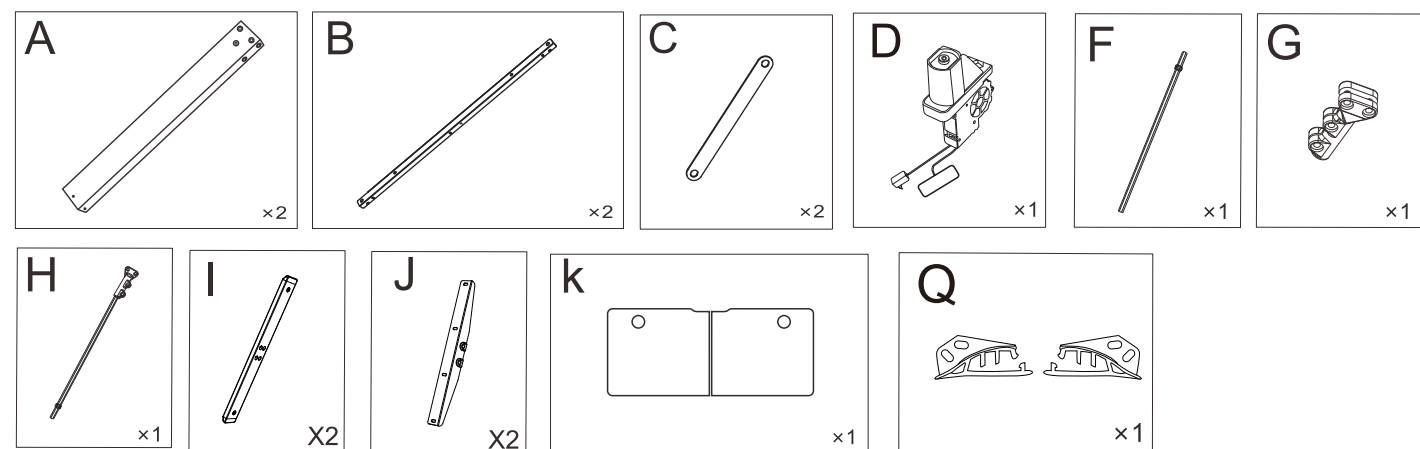
# Assembly Instruction



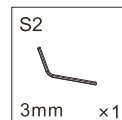
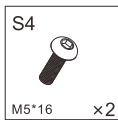
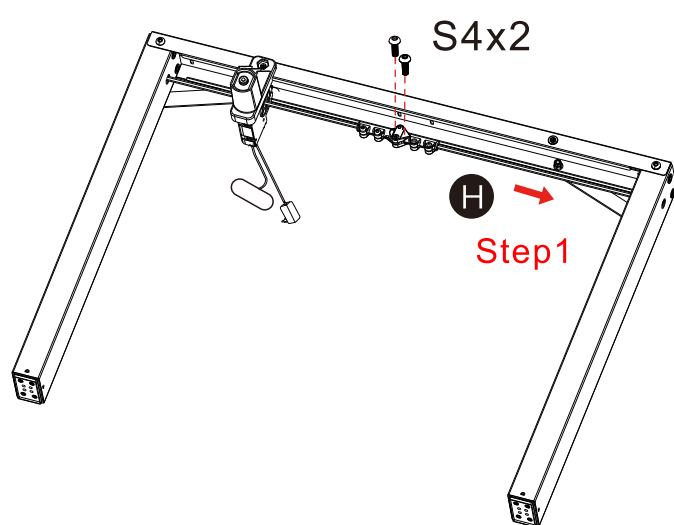
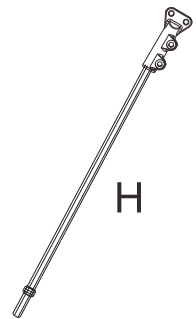
## • SCREW ACCESSORIES



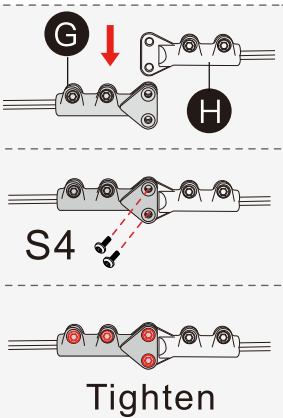
## • PARTS ACCESSORIES



4



Step 2



Tighten

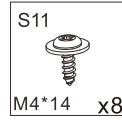
7



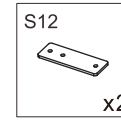
k



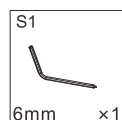
Q



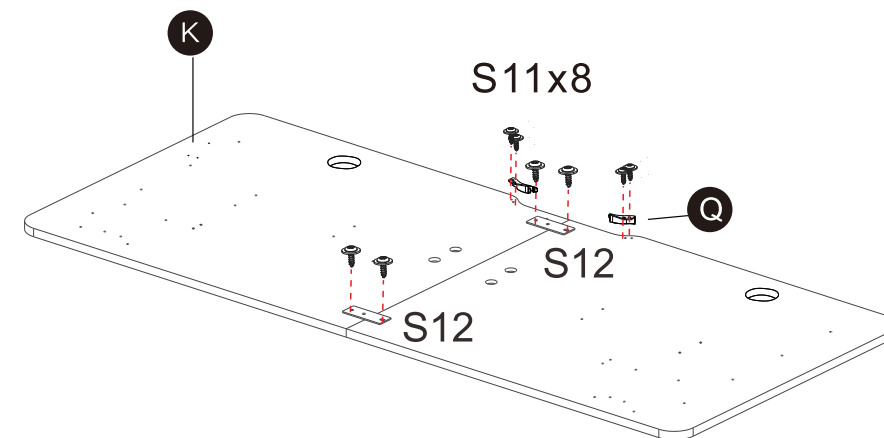
M4\*14 x8



S12 x2

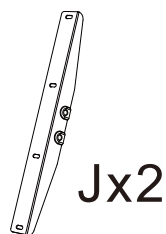


S1 6mm x1

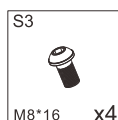
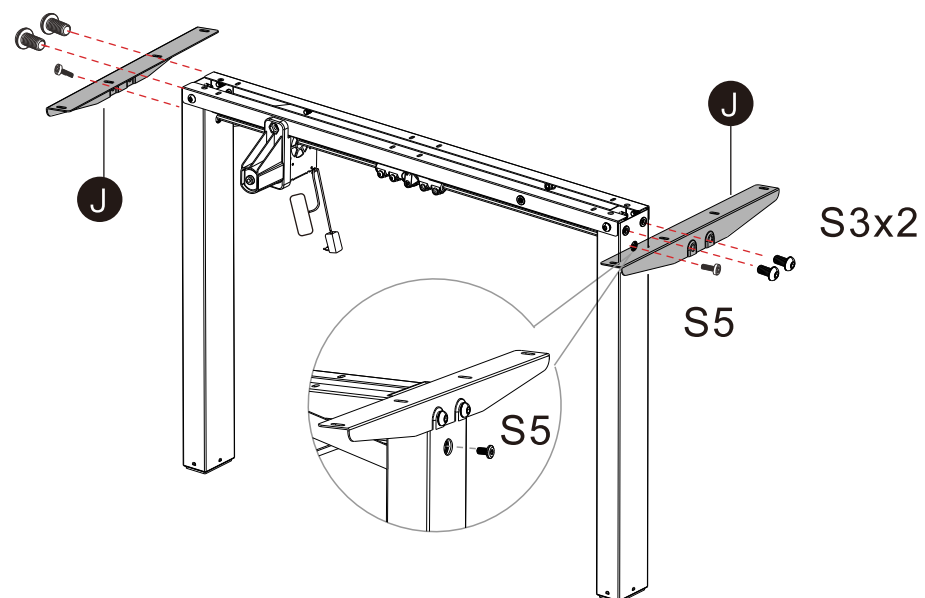


1. Please make sure the two boards are aligned and seamless  
2. and then tighten the screws.

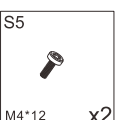
5



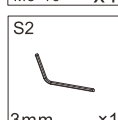
Jx2



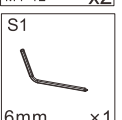
M8\*16 x4



M4\*12 x2



S2 3mm x1



S1 6mm x1

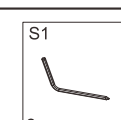
8



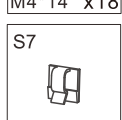
S7



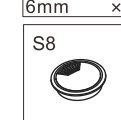
M4\*14 x18



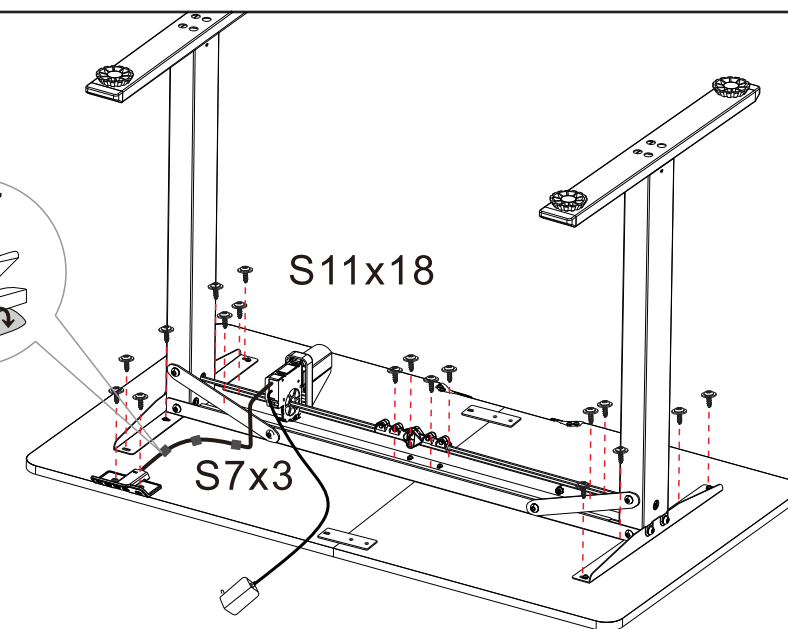
S1 6mm x1



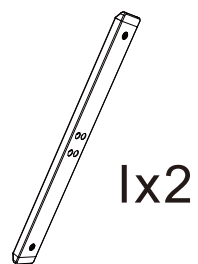
S7 x3



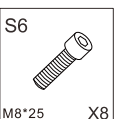
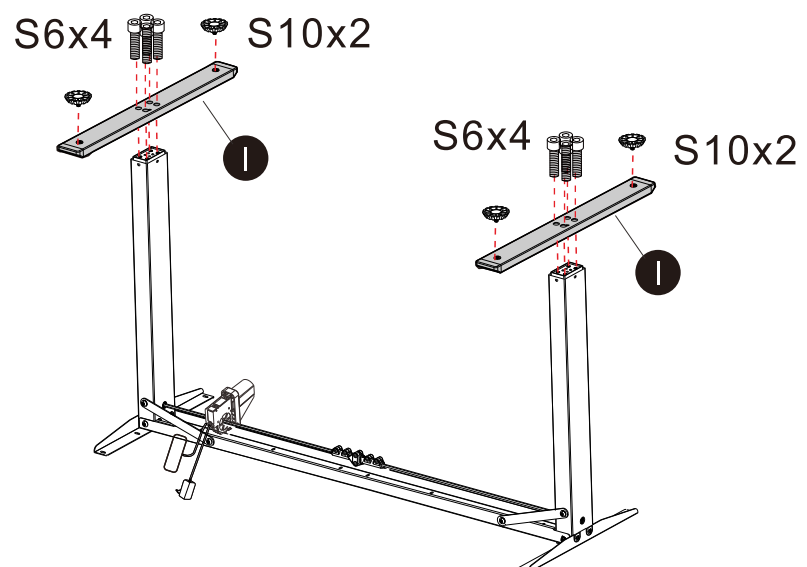
S8 x2



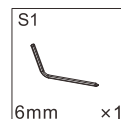
6



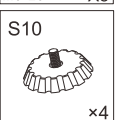
Ix2



M8\*25 x8



S1 6mm x1

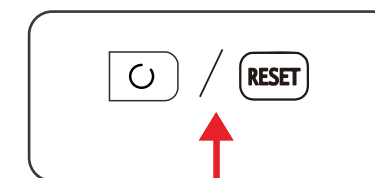
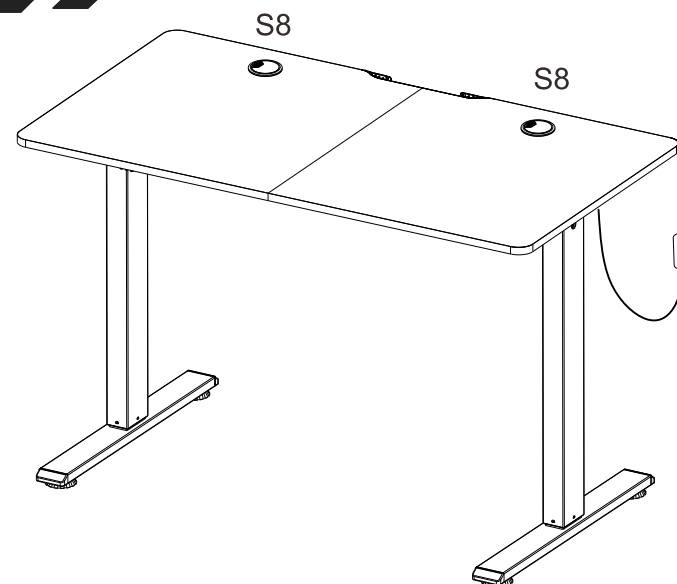



S10 x4



Please make sure the table legs are vertical to the connecting rod. And then tighten all the screws.

9



After the table is installed, please press the  key to start

The table will automatically drop to the lowest point, stay for 3 seconds, then rise to the highest point, and finally return to the initial position - successful installation